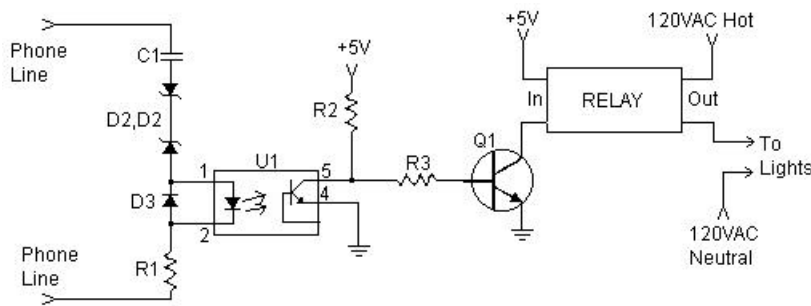


# Ringling Phone Light Flasher

I have gotten several emails asking how to connect up some lights so that when the phone rings, they flash. This is very useful in a situation where there is lots of noise and it is impossible to hear the phone, such as a workshop. Here is such a device. The ring detect part of this circuit came from [http://www.hut.fi/Misc/Electronics/circuits/telephone\\_ringer.html](http://www.hut.fi/Misc/Electronics/circuits/telephone_ringer.html).

## Schematic



## Parts:

- C1 \_\_\_\_\_ 0.47uF 250V Capacitor
- R1,R2 \_\_\_\_\_ 10K 1/4 W Resistor
- R3 \_\_\_\_\_ 1K 1/4W Resistor
- D1,D2 \_\_\_\_\_ 20V 1/4W Zener Diode
- D3 \_\_\_\_\_ 1N4148 Diode
- Q1 \_\_\_\_\_ 2N3904 NPN Transistor
- U1 \_\_\_\_\_ 4N27 Opto Isolator
- RELAY \_\_\_\_\_ Solid State Or Regular Relay (See Notes)
- MISC \_\_\_\_\_ Case, Wire, Board

## Notes:

1. You may need to use a lower voltage zener for D1 and D2.
2. You can use a regular relay instead of a solid state relay, but the arcing across the contacts may destroy it pretty quickly.
3. Be very sure that you have not accidentally connected 120V to the phone line when building and installing this circuit.

---

<- Back	Forward ->	Remote	Mail Me
---------	------------	--------	---------

---

[Back To Circuits Page](#) | [Mail Me](#)